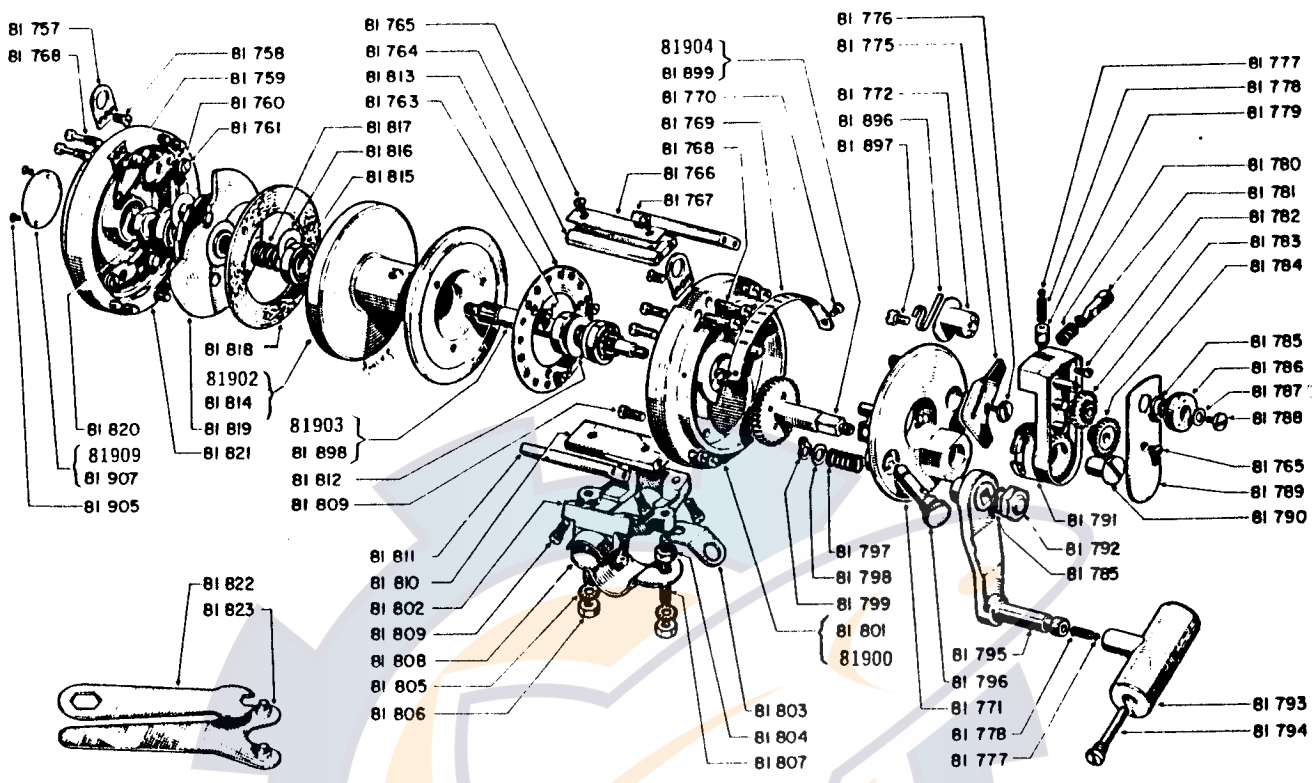


# Garcia MITCHELL 1040-1060



Prices subject to change without notice  
 Items in red for model 1060 Ret. 1040-4/1 1060-3/1

Please specify both reel model and part numbers when ordering.

No.	Part Name	Price	No.	Part Name	Price	No.	Part Name	Price
81757	Harness Lug	(ea.) 1.10	81785	"O" Ring Seal	(ea.) .15	81810	Lower Pillar, Front	7.00
81758	Harness Lug Screw	(ea.) .25	81786	Drag Adjusting Knob	4.25	81811	Lower Pillar, Rear	7.00
81759	Anti-Reverse Dog Spring	(ea.) .20	81787	Drag Adjusting Knob Shim	.15	81812	Ball Bearing Spacer	.45
81760	Anti-Reverse Dog	(ea.) 1.00	81788	Drag Adjusting Knob Screw	.30	81813	Click Plate	1.00
81761	Anti-Reverse Dog Screw	(ea.) .25	81789	Drag Lever Cover Plate	2.25	81814	Spool	31.50
81763	Click Plate Screw	(ea.) .20	81790	Drag Lever Nut	.65	81815	Ball Bearing Stainless Steel	(ea.) 4.00
81764	Name Plate Pillar	6.00	81791	Main Drag Gear and Lever Control Assembly	49.00	81816	Ball Bearing Shield	(ea.) .15
81765	Name Plate and Drag Lever Plate Screw	(ea.) .25	81792	Handle Lock Nut	2.50	81817	Main Shaft Spring	.40
81766	Name Plate	1.00	81793	Handle Knob	11.00	81818	Ferodo Drag Plate	2.25
81767	Upper Pillar	5.00	81794	Handle Knob Screw	.50	81819	Drag Plate with Ratchet	19.50
81768	Side Plate Screw	(ea.) .45	81795	Handle Shank	7.00	81820	Main Shaft Hex Nut	.90
81769	Drag Index Plate	2.25	81796	Click Button	4.25	81821	Left Side Plate	32.00
81770	Index Plate Screw	(ea.) .25	81797	Click Button Spring	.20	81822	Utility Tool	.40
81771	Drag Lever Plate	28.50	81798	Click Button Washer	.10	81823	Spanner Wrench	.60
81772	Strike Stop Guide	2.00	81799	Click Button "C" Lock	.15	81896	Stop Guide Spring	.50
81775	Strike Stop Lever	1.85	81801	Right Side Plate	35.00	81897	Stop Guide Spring Screw	.10
81776	Strike Stop Lever Screw	.75	81802	Reel Foot	21.00	81898	Main Shaft	14.70
81777	Lube Port Ball	(ea.) .10	81803	Safety Lug	1.25	81899	Drive Gear	11.50
81778	Lube Port Ball Spring	(ea.) .20	81804	Stud Lock Nut	(ea.) .60	81900	Right Side Plate	35.00
81779	Drag Index Dog	6.00	81805	Rod Clamp Lock Washer	(ea.) .15	81901	Left Side Plate	32.00
81780	Release Button Spring	.20	81806	Rod Clamp Lock Nut	(ea.) .60	81902	Spool	31.50
81781	Drag Lever Release Button	5.00	81807	Rod Clamp Stud	(ea.) 1.00	81903	Main Shaft	14.70
81782	Release Button Screw	.40	81808	Rod Clamp	3.00	81904	Drive Gear	11.50
81783	Drag Transfer Gear No. 1	2.75	81809	Reel Foot and Drag Lever Plate Screw	(ea.) .25	81905	Emblem Screw	.20
81784	Drag Transfer Gear No. 2	2.75				81907	Emblem	2.00
						81909	Emblem	2.00

## PARTS AND SERVICE AVAILABLE AT THE FOLLOWING REGIONAL FACTORY REPAIR DEPOT

<b>REEL SERVICE AND PARTS</b> SHERMAN LOYD SALES COMPANY 4737 GREENVILLE AVENUE DALLAS, TEXAS 75206	<b>HARRY C. MILLER CO., INC.</b> 257 PARK AVENUE SOUTH NEW YORK, NEW YORK 10010	<b>NATE BUELL SERVICE CORPORATION</b> 5013 N. E. 42nd STREET PORTLAND, OREGON 97218
<b>RODS, REELS AND PARTS SERVICE</b> THE GARCIA SERVICE DEPARTMENT 329 ALFRED AVENUE TEANECK, NEW JERSEY 07686	<b>THE CONOLON CORPORATION</b> 1111 EAST McFADDEN STREET SANTA ANA, CALIFORNIA 92705	<b>SILICOTF SALES DIVISION</b> 520 WEST 14th AVENUE OSHKOSH, WISCONSIN 54902
		<b>J. K. CLARK COMPANY</b> ACO SPORTSMEN SERVICE 13501 VAN DYKE DETROIT, MICHIGAN 48234